

Swing Gates - Hinges and Accessories Guide



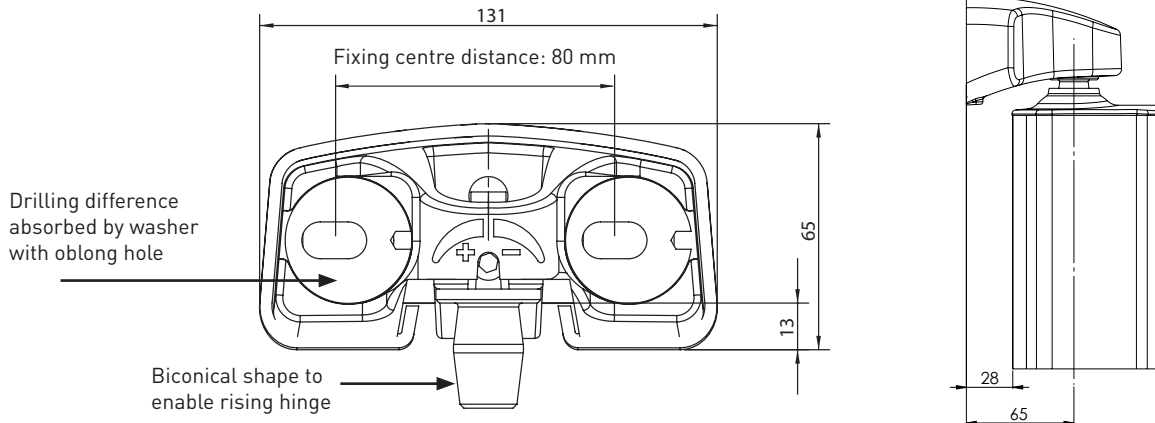
horizAL

www.horizal.co.uk

TOP HINGE

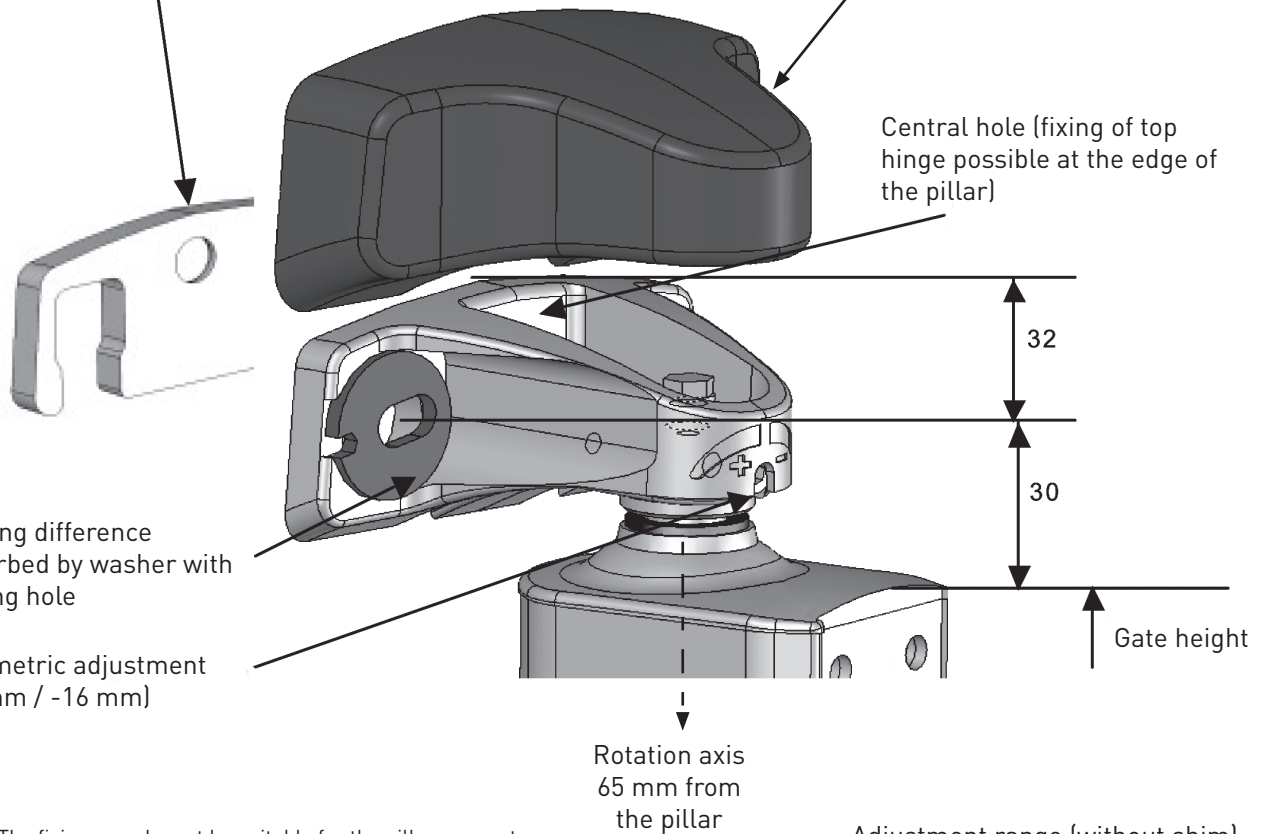
Ref: 95249 - Top hinge with aluminium cover. Included by default on every order.


Double fixing top hinge with 3-dimensions & millimetric adjustment.



10 mm thick shim for top pivot (option)

Hinge cover in aluminium with colour matched to the gate (including woodgrain finishes & non standards RAL)



 The fixings used must be suitable for the pillars or posts. Recommended fixings (not supplied) for brickwork:

- 2 x M10 threaded bar and chemical anchor

Adjustment range (without shim):
 +4 mm / -16mm
 MAXI: 65 + 4 = 69 mm
 MINI: 65 - 16 = 49 mm

TOP HINGE

Installation instructions

- 1 Position the gate on the pivot with the aid of a 55 mm shim to keep it level. Remove the cover and fit the hinge in the top collar of the leaf allowing a vertical clearance of 3 mm (to allow expansion).

Proceed in the same way for both leaves.

- 2 Check the leaf is vertical and mark the centre of the 2 holes in the circular openings.

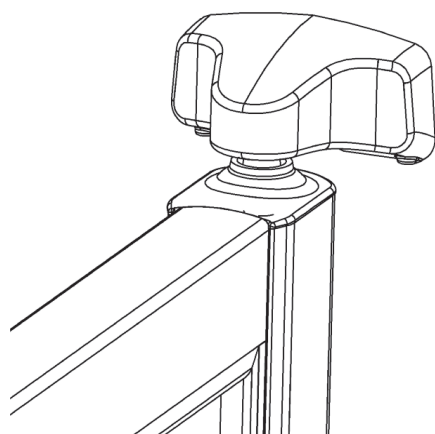
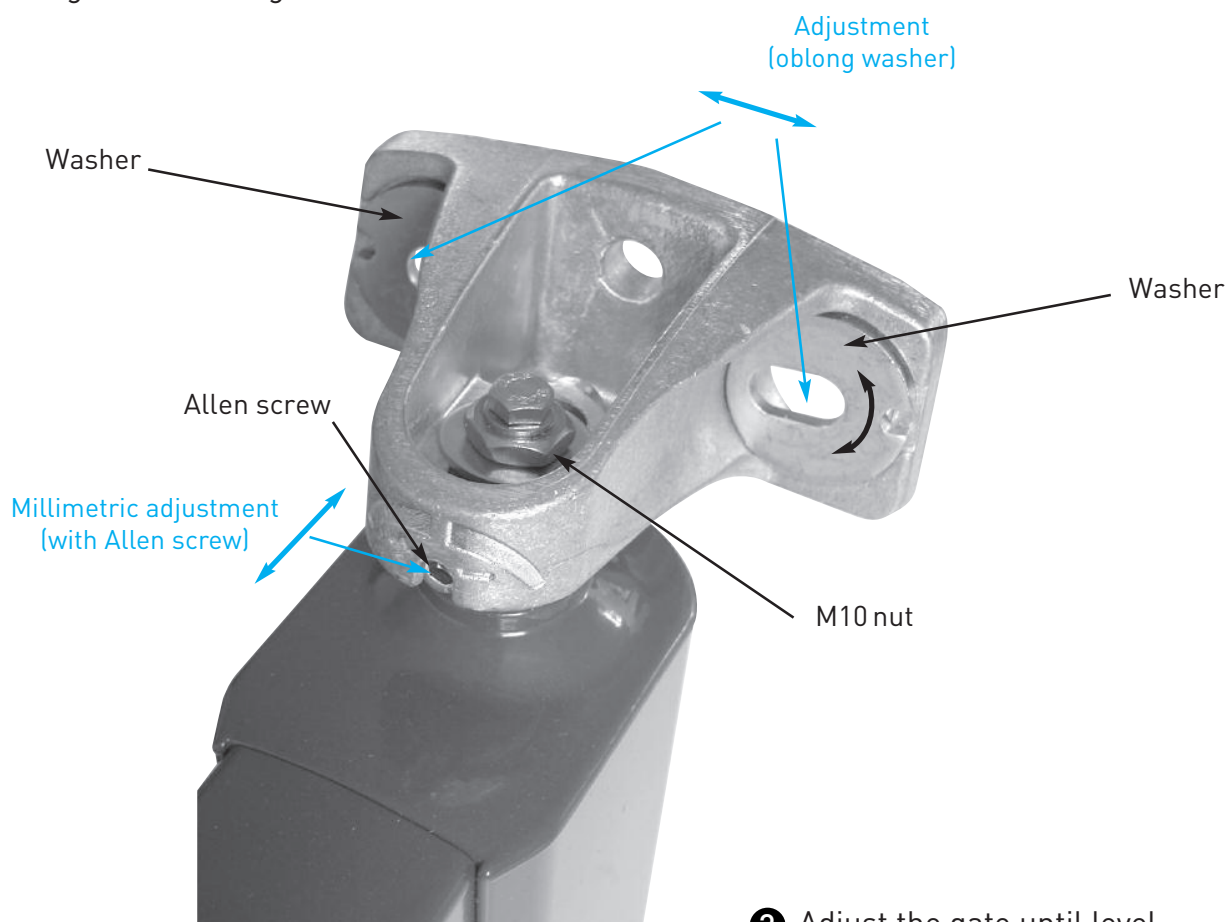


- 3 Remove the leaf.
- 4 Drill the 2 holes of a \varnothing suited to your fixings.
- 5 Reposition the gate leaf.
- 6 Place the hinge back in the top hole of the gates and fix to the pillars using suitable fixings and the large washer supplied.

TOP HINGE

Top hinge adjustment

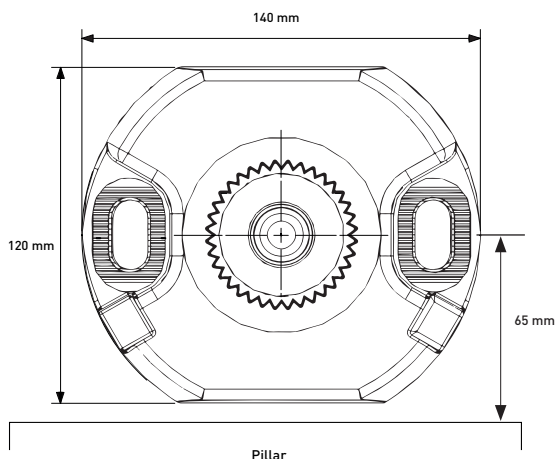
- 1 Ensure the gate is vertical.
Rotate the washer to the desired position.
Tighten the fixing screws.



- 2 Adjust the gate until level.
Loosen the M10 nut (17 mm spanner).
Use the adjusting screw (5 mm spanner).
Tighten the M10 nut.
- 3 Fit the hinge cover.

FLOOR PIVOT

Ref: 95252 - Included by default on every order (with cover)



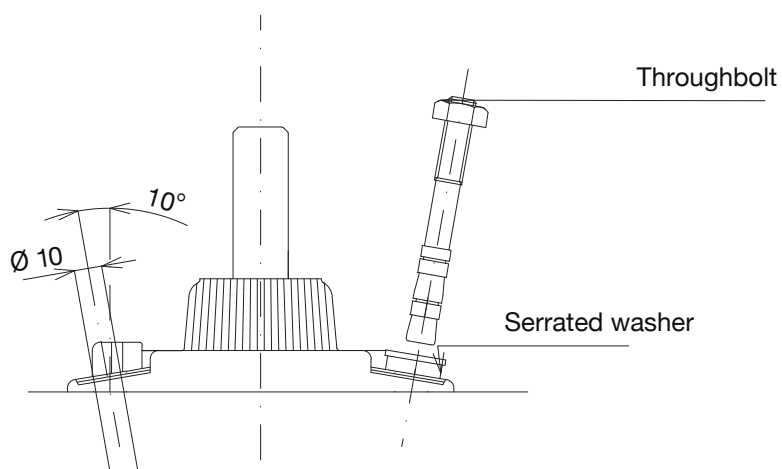
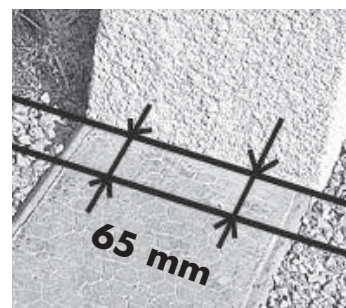
With cover
(use with standard hold-open stop)



Without cover
(use with integrated stop)

Installation instructions

- 1 Position the pivot centre 65 mm from the pillar the two fixing holes being located on either side of the vertical plane of the gate.
- 2 Drill the fixing holes at slight angle.
- 3 Fix the M10 throughbolts (with serrated washers).



- 4 Tighten the nuts.

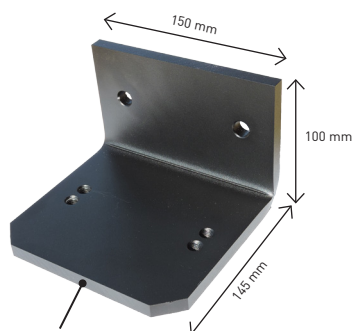
⚠ Recommended fixings (not supplied):
• 2 x M10 throughbolt concrete fixings

FLOOR PIVOT

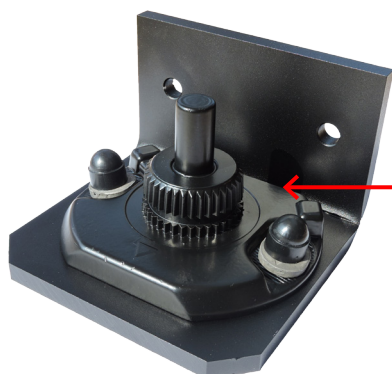
Fixing on bracket

Ref: 95562Z- Aluminium bracket for floor pivot

Ref: 95252-1- Floor pivot to be used with bracket



Thickness:
10 mm

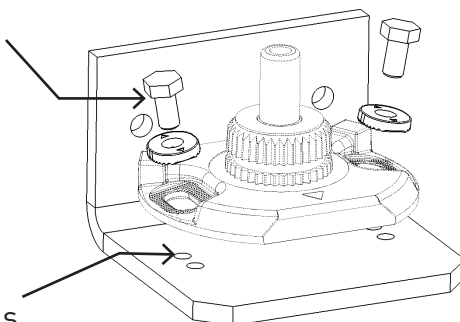


The floor pivot is cut at the back side to adapt to the bracket (factory-made).



Floor pivot with cut back side to be used with bracket.

The fixings of the floor pivot on the bracket are supplied.



Mounting hole to be used to install the floor pivot with axis at 65 mm.



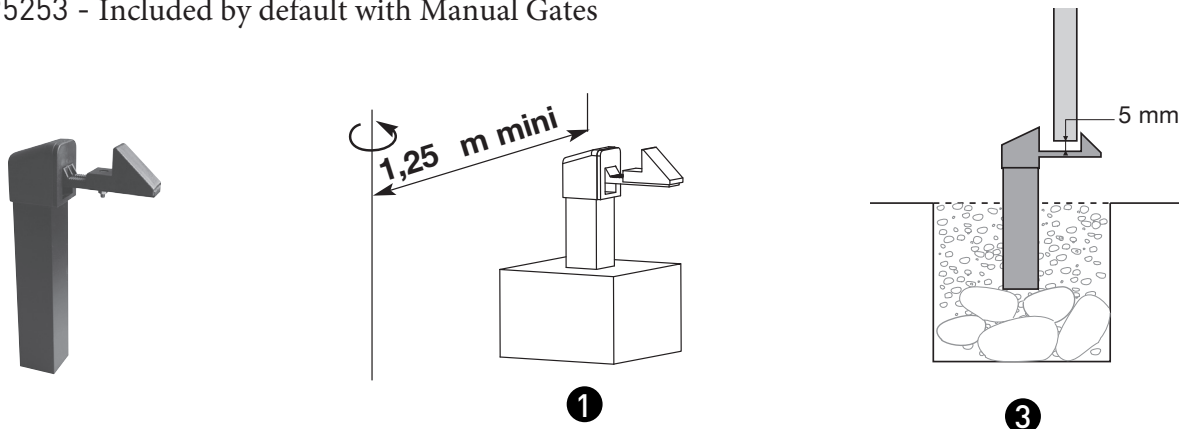
The fixings of the bracket to the piers are not supplied.

Recommended fixings:

- 2 x M10 throughbolt concrete fixings

HOLD-OPEN BRACKET

Ref: 95253 - Included by default with Manual Gates

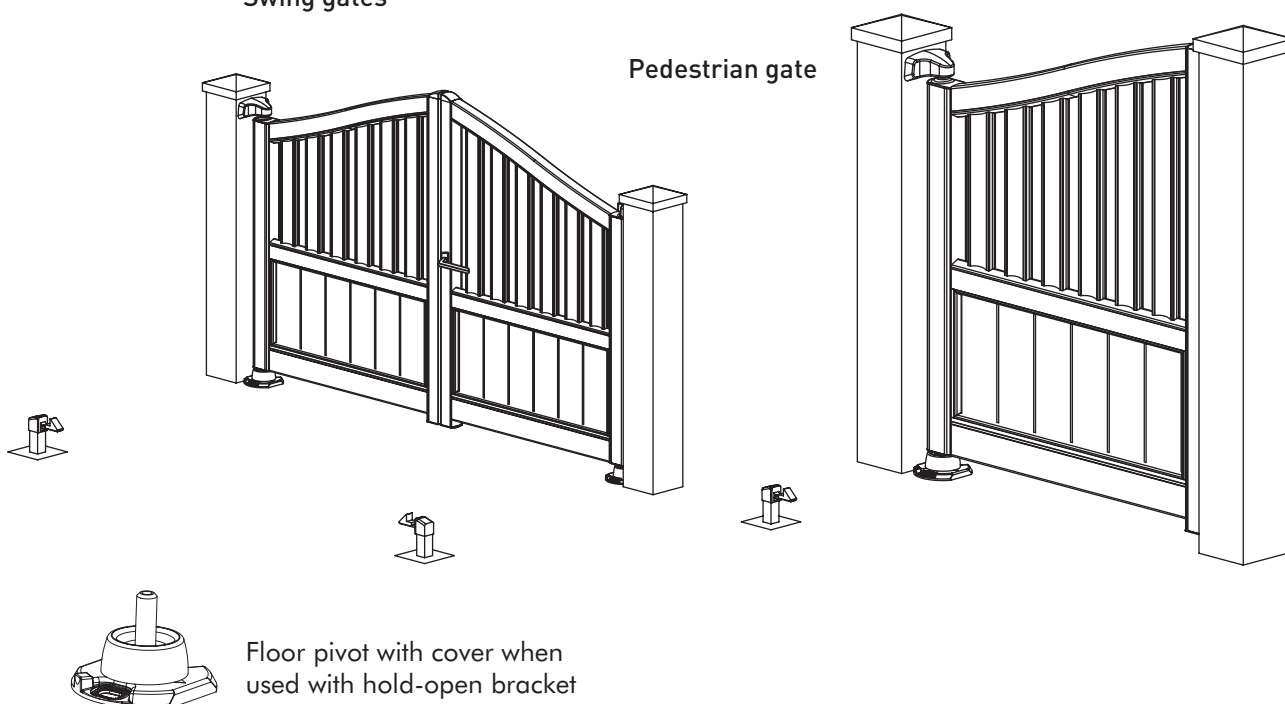


Installation instructions

- 1 Set up the opening stop at a distance of 1.25 m minimum from the pivot.
- 2 Prepare a hole for concrete about 15 x 15 x 15 cm.
- 3 Move the opening stop to a height of 5 mm below the gate.
- 4 Fix the stop in the concrete.

Swing gates

Pedestrian gate

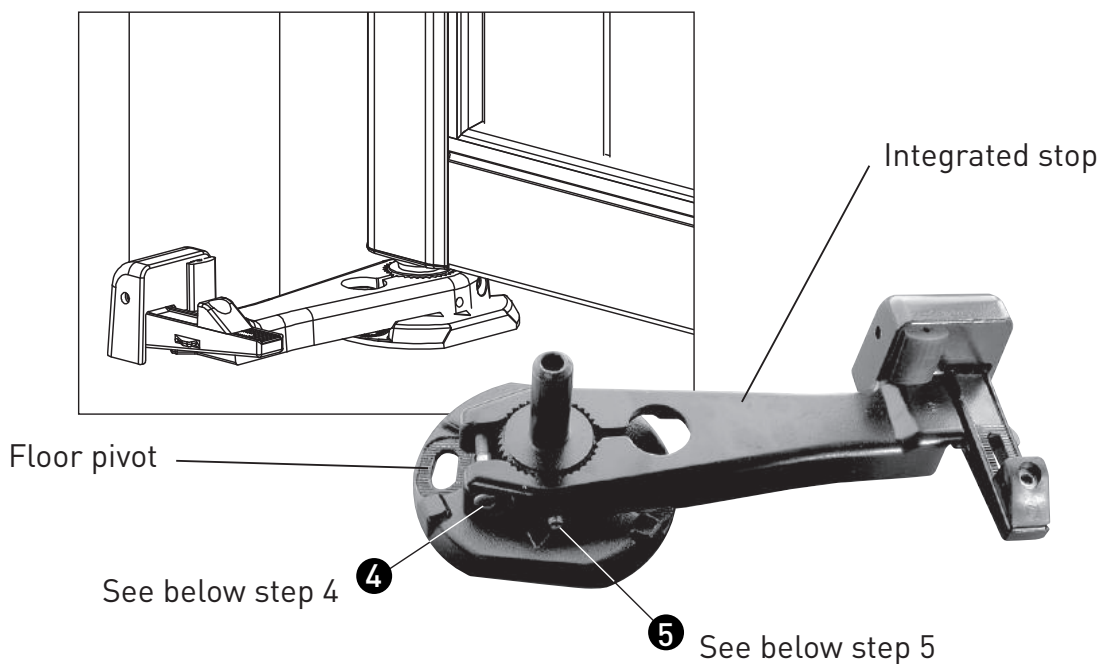


INTEGRATED STOP FOR FLOOR PIVOT

Stops are handed left & right (viewed from outside the property):

Ref: 54974 (RHS) & Ref: 54975 (LHS) → for manual gates and pedestrian gates

Ref: 95309 (RHS) & Ref: 95310 (LHS) → for automated gates



Installation instructions

- 1** Mount the integrated stop, without tightening the screws.
- 2** If necessary, adjust the floor pivot. For easier access to the screws, lift the integrated stop and fold it against the closed leaf.
- 3** Swing the leaf into the open position and locate the gate stop on the splines.
- 4** Tighten the clamp bolt.
- 5** Tighten the anti-lift screw.

ADAPTABLE BRACKET FOR REAR-FIXED PEDESTRIAN HINGE

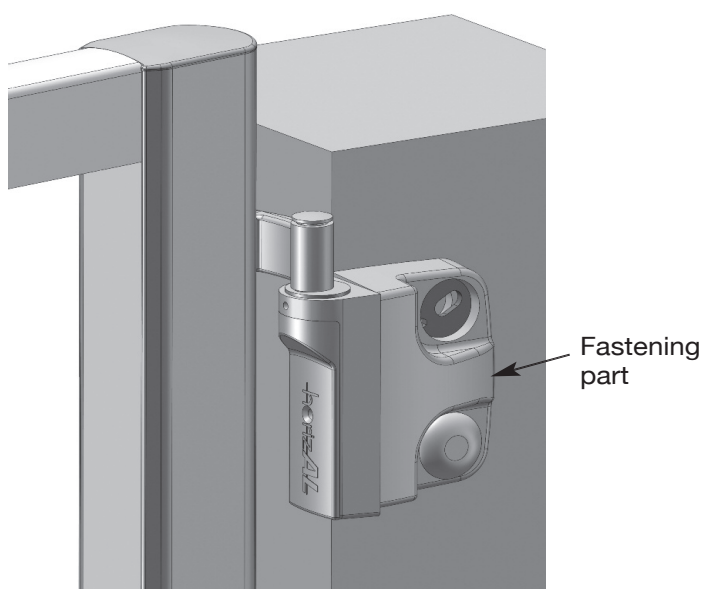
Ref: 95808

Adaptable bracket for rear-fixed wall mounting opening at 180°.
In the closed position, the visual geometry of the gate is retained (pivot upright in the driveway).

To be used with the wall pedestrian hinge ref. 95807 (see technical sheet).

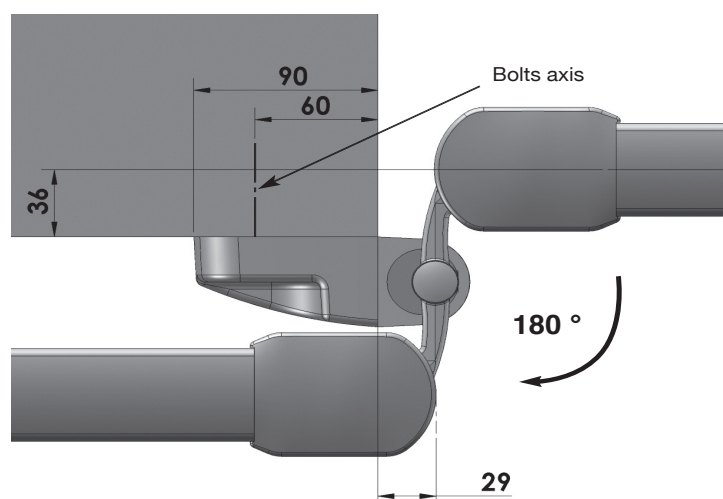


Installation instructions



Bolts: male bolts M10

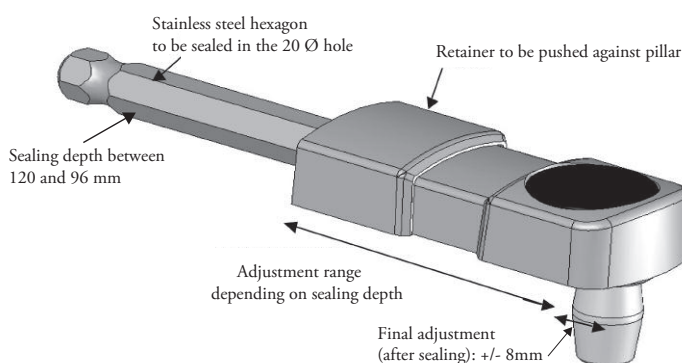
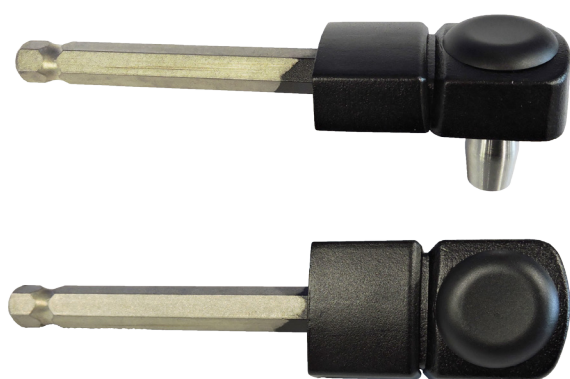
- 1 Put the gate in place.
- 2 Position the fastening parts.
- 3 Fit the bolts.
Bolt: max 25 mm protruding
- 4 Tighten the fastening parts.
- 5 Adjust as appropriate.
(see hinges fixed between pillars)
- 6 Fit the covers.



RESIN-FIXED TOP HINGE

Ref: 95266

This resin-fixed hinge is designed to be fixed on rough surfaces, at an angle and with a large adjustment range. The resin-fixed hinge is offered in the same colors as the gate.

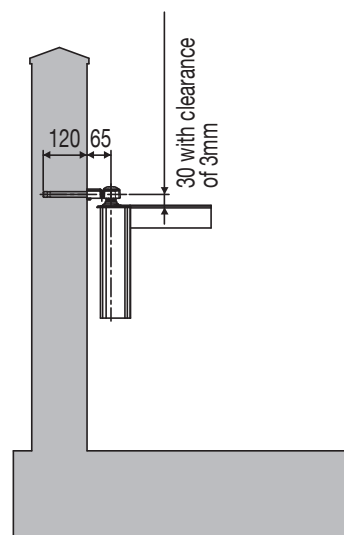
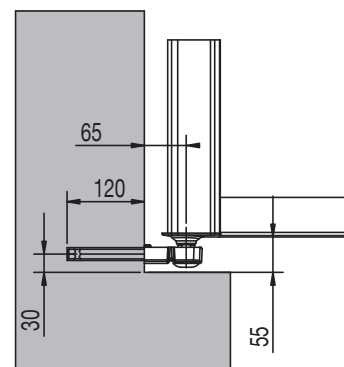


Adjustment range (without shim)
 Sealing depth 120 mm: rotation axis at 65 mm (+/- 8mm)
 Sealing depth 96 mm: rotation axis at 89 mm (+/- 8mm)

Installation instructions

Case 1: Two resin fixed pivots

- 1 Bottom pivot:
30mm from the ground, drill a $\varnothing 20$ hole with a depth of 120mm. Use a chemical seal to fasten the pivot.
- 2 Top pivot:
Put the gate in place. Drill a $\varnothing 20$ hole with a depth of 120mm (3mm clearance) 30mm from the top of the pivot mount. Before fitting the fixed pivot, remove its bolt and put it in the pivot mount, with both flat sides in the fixed pivot's setting pin. Insert the chemical seal. Put on the pivot. Tighten the pin again in the middle of the adjustment range, making sure the sides are properly slotted into the groove.
After the seal has been applied, finalise the leaves' positioning. Push the retainers against the pillar and use the bottom screw to keep them in place.



Case 2: A resin fixed pivot + floor pivot

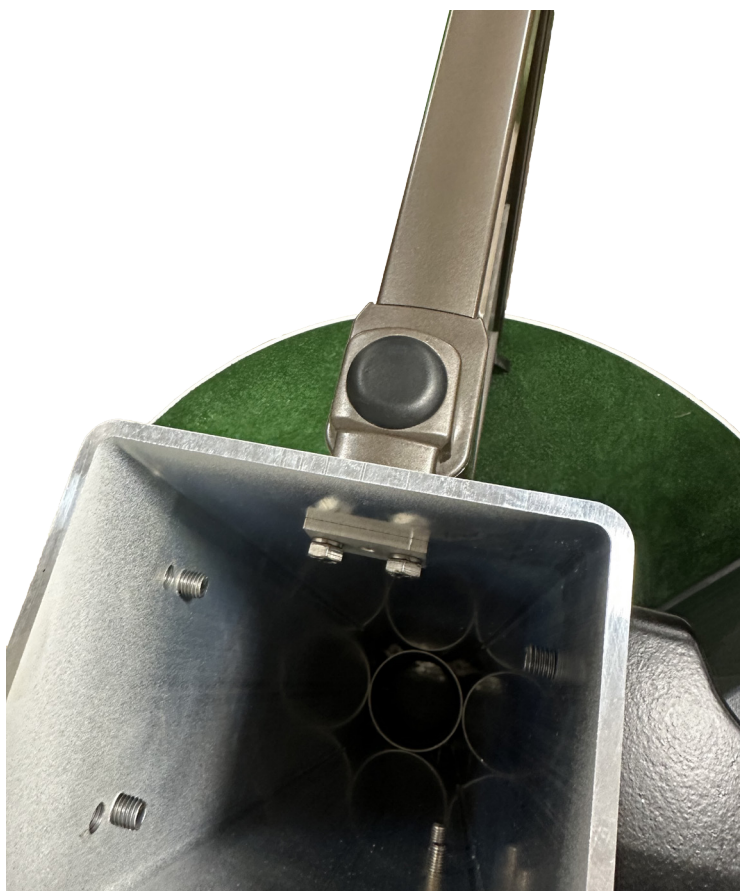
- 1 See technical sheet for details of how to fit the floor pivot.
- 2 See above for details of how to fit the top pivot.

BOLT-THROUGH NARROW TOP HINGE

Case 3: For fixing on 100mm Aluminium post



In case of fixing on metal post the slim resin-hinge is supplied with bolts instead of the stainless steel hexagon. Can be fitted on 100x100 mm metal post.
To be used as top hinge **(not usable as bottom hinge)**



WALL-FIXED PEDESTRIAN HINGE

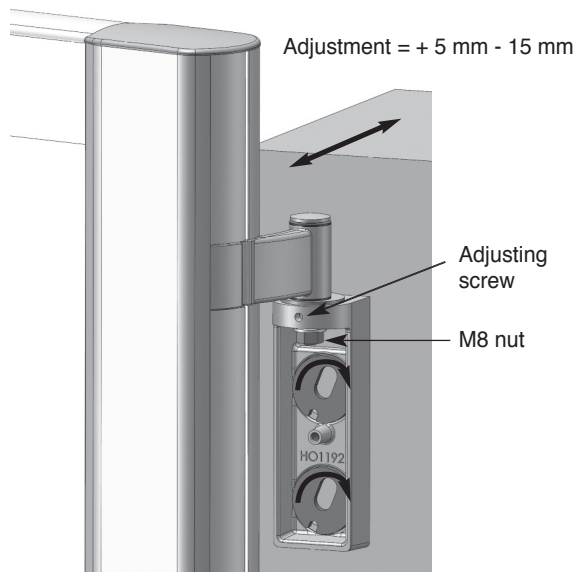
Ref: 95807

This hinge makes it possible to fix gates whose height is equal or higher than the pillar.
This hinge can be used with our standard floor-mounted pivot or with a second wall pedestrian hinge in case there is no concrete threshold.

This hinge can be fixed on 100 x 100 mm aluminium post.



Installation instructions



- ❶ Put the gate in place and drill hinge holes in the middle.
- ❷ Fit the bolts (male bolts M10) and tighten the fastenings.
Anchor bolts: max 25 mm protruding.
- ❸ Adjust the gate horizontally:
 - Loosen the M8 nut
 - Use the 3 mm Allen key to tighten or loosen the adjusting screw.*Note: always ensure the gate is not bearing its weight when you are tightening or loosening the adjusting screw.*
Once adjustment has been completed, tighten the M8 nut.



- ❹ Vertical adjustment can be performed by changing the direction of the washers.
- ❺ Tighten the cover (3 mm Allen key).